

NEC-2

EXTENSION CRANE

The NEC-2 is a wall-mounted extension crane. It is used to extend the reach of an extraction arm to cover very large and/or multiple work areas.

The NEC-2 is provided with the *HandyStop* system to lock the base in the desired position (5 possibilities).



APPLICATIONS

The NEC-2 is intended to be used for the following applications:

- MIG-MAG/GMAW welding
- TIG welding
- FCAW welding
- stick/MMAW welding



Do **not** use the NEC-2 for the following applications or in the following circumstances:

- arc-air gouging
- aluminium laser cutting
- extraction of aggressive fumes and gases (e.g. from acids, from alkaline, from soldering paste containing lithium)
- extraction of hot gases (more than 45°C/113°F continuously)
- grinding aluminum and magnesium
- flame spraying
- extraction of cement, saw dust, wood dust etc.
- sucking cigarettes, cigars, oiled tissues and other burning particles, objects and acids
- explosive environments or explosive substances/gases



SPECIFICATIONS

■ Physical dimensions and properties

Length	2 m (6.5 ft)
Diameter	203 mm (8 in.)
Material:	
• tubes	• polypropylene copolymere with UV stabilization
• hoses	• PVC with metal springs
• base	• steel
• wall bracket	• galvanized steel
Max. temperature (continuously):	
• tubes	• 80°C (176°F)
• hoses	• 80°C (176°F)
Colour:	
• tubes	• yellow RAL 1028
• hoses	• grey RAL 7024
• base	• black RAL 9005
Max. load	50 kg (110 lbs)
Weight (net)	37,8 kg (83.3 lbs)

■ Ambient conditions

Operating temperature:	
• min.	• 5°C (41°F)
• nom.	• 20°C (68°F)
• max.	• 45°C (113°F)
Max. relative humidity	80%
Outdoor use allowed	no
Storage conditions	• 5-45°C (41-113°F) • relative humidity max. 80%

■ Product combinations

EXT NEC-4	extension 2 m (6.5 ft)
Flex-3/4, UltraFlex-3/4	extraction arm

■ Available options

RS-2	hanging suspension for wire feeder (max. 50 kg)
------	---

■ Scope of supply

Extension crane on base, incl. wall mounting bracket - HandyStop rod - Hose 115 cm (3) - Bush (4) - Hose clamp (2) - Sticker 'max. 50 kg' - Hardware


■ Order information

Article number	7920122000
Number/package	1

■ Shipping data

Gross weight	42,2 kg (93 lbs)
Packing dimensions	
Max. number/pallet	8
Harmonized Tariff Code	8421.9900.99
Country of origin	the Netherlands

■ Approvals/certificates

	Directive 2011/65/EC (RoHS) valid as of 8 June 2011
--	---

FEATURES

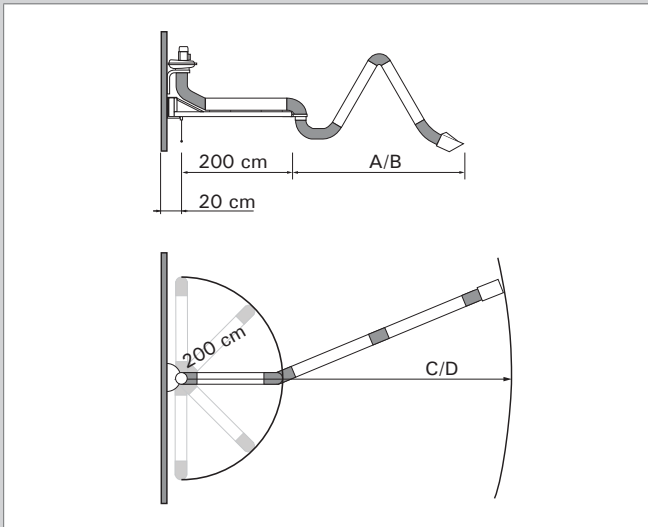
NEC-2 + extension
EXT NEC-4



HandyStop

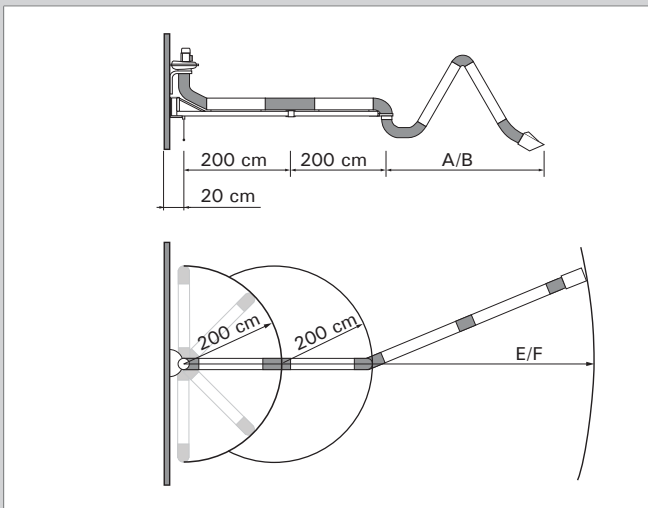


REACH



NEC-2 + extraction arm

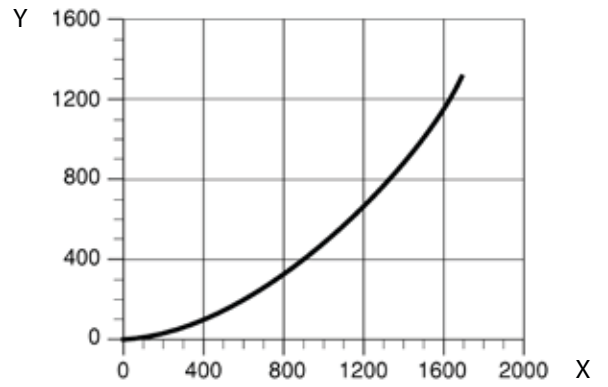
- A = (Ultra)Flex-3 = max. 330 cm (10.8 ft)
- B = (Ultra)Flex-4 = max. 430 cm (14.1 ft)
- C = NEC-2 + (Ultra)Flex-3 = max. 530 cm (17.4 ft)
- D = NEC-2 + (Ultra)Flex-4 = max. 630 cm (20.7 ft)



NEC-2 + EXT NEC-4 + extraction arm

- A = (Ultra)Flex-3 = max. 330 cm (10.8 ft)
- B = (Ultra)Flex-4 = max. 430 cm (14.1 ft)
- E = NEC-2 + EXT NEC-4 + (Ultra)Flex-3 = max. 730 cm (23.9 ft)
- F = NEC-2 + EXT NEC-4 + (Ultra)Flex-4 = max. 830 cm (27.2 ft)

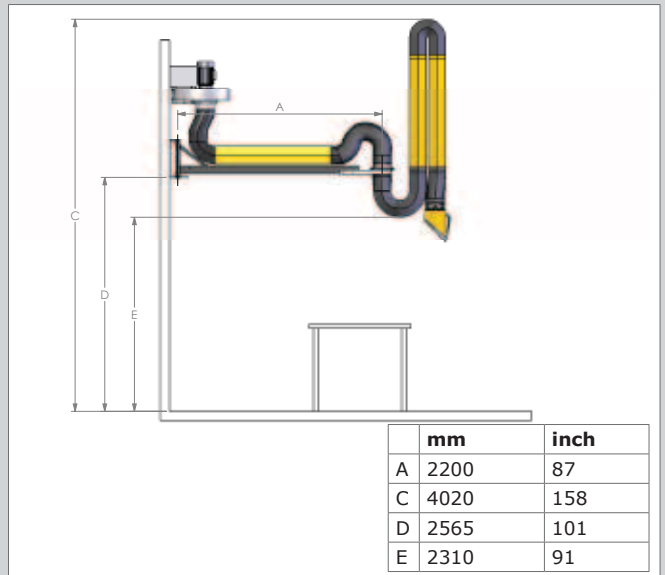
PRESSURE DROP



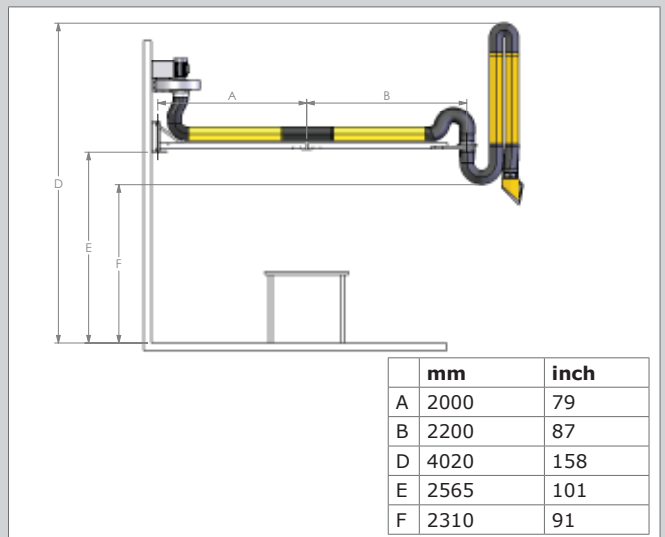
NEC-2 (+ EXT NEC-4) + (Ultra)Flex-3/4

X = Airflow (m³/h)
Y = Static pressure (Pa)

MOUNTING MEASUREMENTS



NEC-2 + (Ultra)Flex-4



NEC-2 + EXT NEC-4 + (Ultra)Flex-4

Product type	NEC-2
Article no.	7920122000
Product category	extraction arms/hoses
Version	070212/B

Always check the latest version on www.plymovent.com